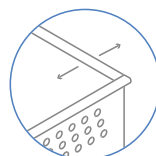


# AK1

## CASSETTI SINGOLI

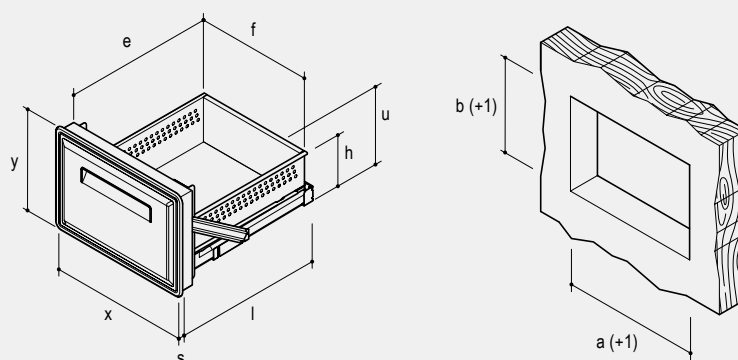
Individual drawers



### NUOVO SPESSORE CASSA 8/10

New box thickness 8/10





| Articolo<br>Item | Foro banco<br>Counter hole |       | Dimensioni esterne ed interne<br>External and internal size |     |     |     |     |     |     |    | Box |
|------------------|----------------------------|-------|---|-----|-----|-----|-----|-----|-----|----|-----|
|                  | a(+1)                      | b(+1) | x   | y   | e   | f   | h   | l   | u   | s  |     |
| <b>AK11</b>      | 442                        | 255   | 469   | 282 | 459 | 361 | 145 | 520 | 192 | 13 | 1   |
| <b>AK11C</b> ○   | 442                        | 255   | 469   | 282 | 397 | 361 | 145 | 458 | 192 | 13 | 1   |
| <b>AK12</b>      | 442                        | 305   | 469   | 332 | 459 | 361 | 145 | 520 | 242 | 13 | 1   |
| <b>AK12C</b> ○   | 442                        | 305   | 469   | 332 | 397 | 361 | 145 | 458 | 242 | 13 | 1   |
| <b>AK13</b>      | 442                        | 404   | 469   | 431 | 459 | 361 | 290 | 520 | 341 | 13 | 1   |
| <b>AK13C</b> ○   | 442                        | 404   | 469   | 431 | 397 | 361 | 290 | 458 | 341 | 13 | 1   |
| <b>AK14</b>      | 442                        | 442   | 469   | 469 | 459 | 361 | 290 | 520 | 379 | 13 | 1   |